

DESIGNED
AND
CRAFTED
IN THE
HEART OF
MID-ULSTER



Sperrin stoves is located in the heart of Mid-Ulster where our range of hand crafted stoves is designed & manufactured.

We have been involved in the heating industry since 1970 so we know what people really want from their stoves. Every Sperrin stove goes through a rigorous multi stage quality test procedure.

This is to ensure that you have many years of reliable heating enjoyment from your Sperrin stove.

All our stoves have been fully UK tested and approved. They comply with relevant CE regulations: BS EN13240.

www.sperrinstoves.com



DEALER STAMP



101A OLDTOWN RD CASTLEDAGH BT45 8BZ

SPERRIN STOVES

DESIGNED AND CRAFTED IN THE HEART OF MID-ULSTER

www.sperrinstoves.com

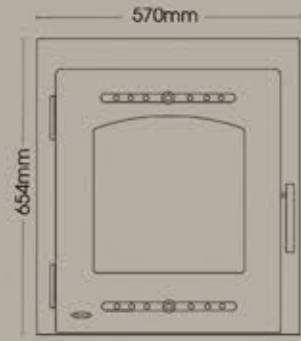


SP FIRE DOOR / SP INSET

AVAILABLE (WITH A CHOICE OF STAINLESS STEEL OR BLACK VEHTS)

The Sperrin fire door is designed to work with or without an existing back boiler giving you full air control of your open fire

- Will Suit any 16" or 18" opening
- Increases the efficiency of your open fire and can be used with a back boiler
- Control the airflow into your fire with primary and secondary air-vents
- Air wash system to aid glass cleaning
- Added peace of mind as the fire door stops sparks from your fire
- A sleek design with quality stainless steel handles & fittings
- Easy to install (DIY Installation)



SP FIRE DOOR

SP5

AVAILABLE (WITH A CHOICE OF STAINLESS STEEL OR BLACK VEHTS)



STOVE SP5 - (WITH LOGBOX)



SP5 DOVUS (BLACK VEHTS)



SP5 DOVUS (STAINLESS STEEL VEHTS)



STOVE SP8 - (WITH LOGBOX)



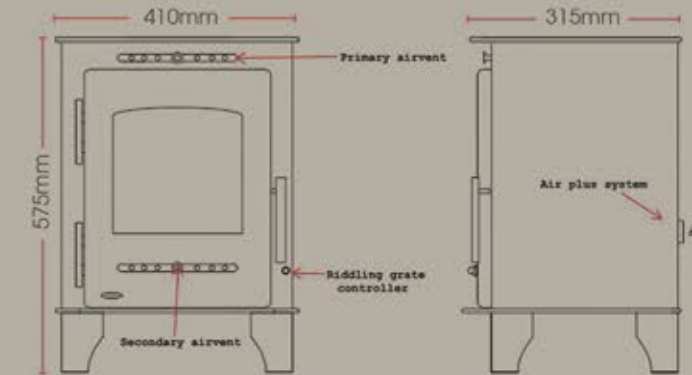
SP8 DOVUS (BLACK VEHTS)



SP8 DOVUS (STAINLESS STEEL VEHTS)

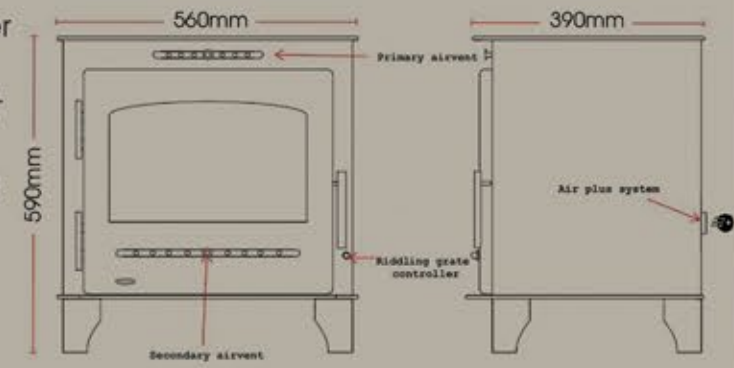


The SP5 is more than adequate to heat a small to medium sized room. The sleek design and attractive lines will enhance any living space. The SP5 is now available in our contemporary Novus design.



- 5kw output
- Airwash controls for cleaner glass
- Multifuel grate
- External riddling system
- Heavy duty steel construction
- Optional top or back flue
- Quality stainless steel handles and fittings
- Efficient burn rate at 82.4%
- 5 year body guarantee
- Optional log box for storing logs
- Integrated air plus system for increased efficiency
- Fully CE tested in the UK and approved to BSEN13240

*AVAILABLE WITH DIRECT AIR INTAKE



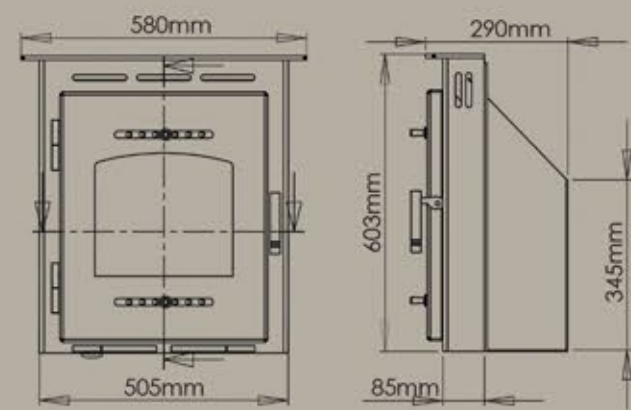
The SP8 is the largest space heater in the Sperrin range with its 8kw output it has the capacity to heat a medium to large sized room. With its distinctive good looks and quality build the SP8 will be the glowing focal point you desire. The SP8 is now available in our contemporary Novus design.

- 8kw output
- Airflow controls for cleaner glass
- Multifuel grate
- External riddling system
- Heavy duty steel construction
- Optional top or back flue
- Quality stainless steel handles and fittings
- Efficient burn rate at 80%
- 5 year body guarantee
- Optional log box for storing logs
- Integrated air plus system for increased efficiency
- Fully CE tested in the UK and approved to BSEN13240

*AVAILABLE WITH DIRECT AIR INTAKE



SP Inset



The Sperrin inset is a beautifully compact stove that slips easily into any standard fireplace opening. It has a full wrap around convector box with vents at the top of the stove delivering heated air into your room along with the stoves natural radiant heat. With the Sperrin inset stove there is no need to remove the fireback and with a sound chimney it does not need to be flued.

- 4.3 kw output- suits medium sized room
- Premium quality stainless steel fittings
- Optional flue collar for attaching chimney liner where required
- Multifuel grate
- Airwash system
- 5 year body guarantee